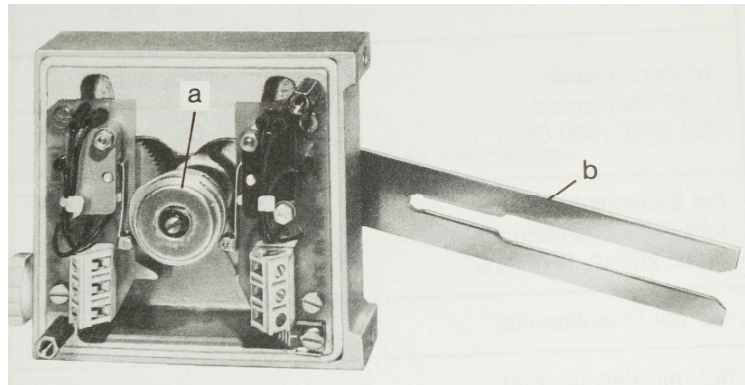


Electric Limit Contact Unit Typ SM

Attachment for pneumatic, hydraulic or electric actuators.

The contact unit has the function of electrically or inductively signalling of stroke positions or realising a permanent stroke indication by means of potentiometer or electronic measuring system..



Typ SM 1 Interior view

- a) individually adjustable cam discs
- b) infinitely variable transmission mechanism always effects 90°-turning angle at the cam disc at any stroke between 10 and 100 mm

Technical data:

Input variable	10 — 100 mm stroke, infinitely variable
Switch	Micro-switch with change-over contact, single-pole, switching capacity 1 A / 230 VAO, or inductive contact with or without switching amplifier
Potentiometer	90°-turning angle, 200 ohms 24 VDO, load capacity 120 mA.
Position measuring transducer	90°-turning angle 24 VDO, output 0 (4) ... 20 mA, max. output load 750 ohms, protection mode (Ex) iG5, for mounting outside the ex-hazard area, (Ex) iG3 for mounting inside the ex-hazard area.
Housing	cast aluminium, protection mode 1P54
Switching amplifier	transistor relay, protection mode (Ex) iG5, supply voltage 230 V, 50 HZ, output 4 A/230 VAC/250 VA. Technical data as per NAMUR or DIN 19234. Available (model A) with snap mounting for 35 mm standard rail as per DIN 46277 or (model B) installed in standard housing 104 x 77 mm, 120 mm high.

Ordering Data

Limit Contact Unit Type _____

Equipment _____

With Namur-mounting bracket yes / no

With switching amplifier model A or B

Equipment	Art	Zahl	Typ	Price
With limit contacts	Micro-switch	2	SM 1	
	Micro-switch	4	SM 2	
	Inductive contact	2	SM 3	
	(Ex) i G 5	2	SM 3	
With limit contacts and potentiometer 200 ohms	Micro-switch	2	SM 4	
	Inductive contact (Ex) i G 5	2	SM 5	
With limit contacts and position Measuring Transducer 0(4)...20 mA, (Ex) i G 5	Micro-switch	2	SM 6	
	Inductive contact	2	SM 7	
With potentiometer only	200 ohms	1	SM 8	
With position measuring transducer Only (Ex) iG5	0 - 20 mA	1	SM 9	
With pneumatic output	0,2...1,0 bar	1	SM 10	
With position measuring transducer only 0(4)...20 mA, (Ex) i G 5	without Powerpack	1	SM 11	
	0(4)...20 mA ohne (Ex)			
Switching amplifier for 1 or 2 contacts (for SM3, SM5, SM7	Standard rail		A	
	Standard housing		B	

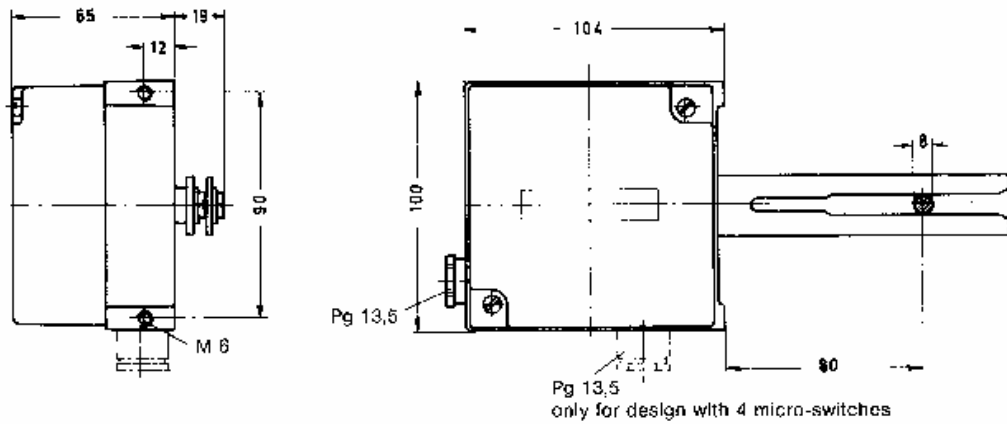
Special designs: (prices upon inquiry)

+ micro – switch in Ex-design

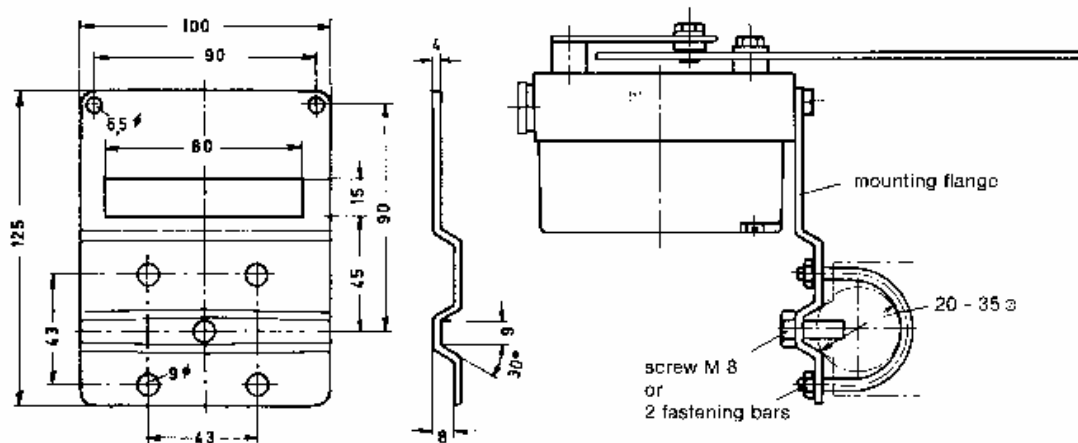
+ mounting flange for 90° rotary scanning (butterfly valves, etc.)

Dimension diagram

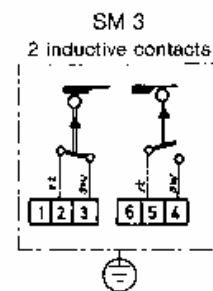
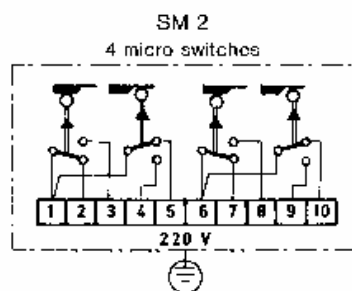
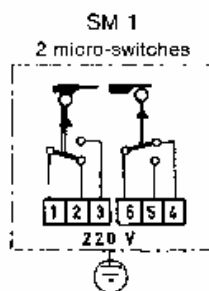
Design with micro-switches or inductive contacts
models SM 1, SM 2, SM 3



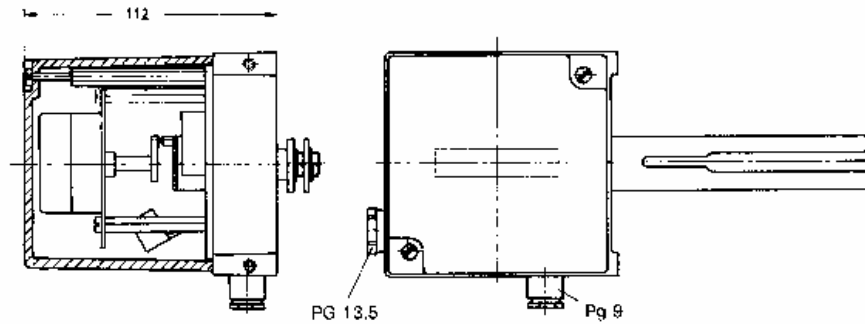
Mounting as per NAMUR-recommendation



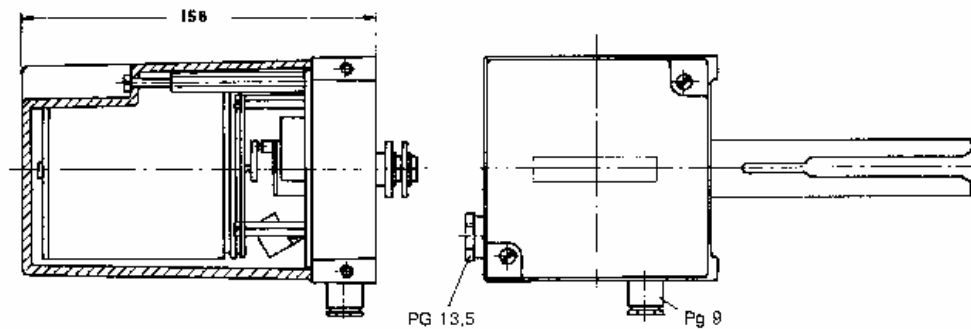
Terminal diagram for design models:



Dimension diagram
design with potentiometer
models SM 4, SM 5, SM 8

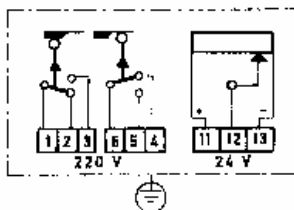


Dimension diagram
designs with measuring transducer
0(4) ... 20 mA, Models SM 9, SM 11

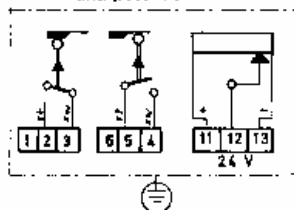


Terminal diagram for design models:

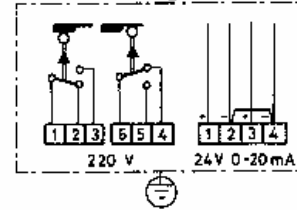
SM 4
2 micro-switches and potentiometer



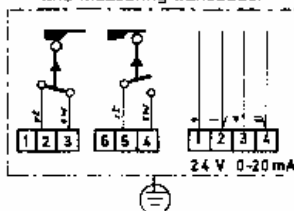
SM 5
2 inductive contacts
and potentiometer



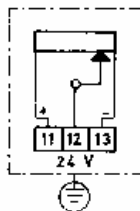
SM 6
2 micro-switches
and measuring transducer



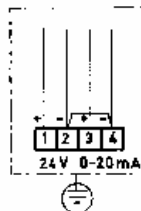
SM 7
2 inductive contacts
and measuring transducer



SM 8
Potentiometer



SM 9
Measuring
transducer



SM 11
Measuring transducer

